

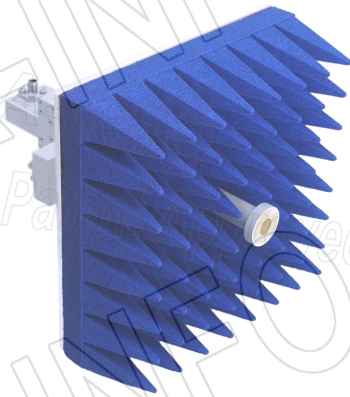
For reference only. See data sheet for the detailed specifications.

Technical Specification

LB-ACH-51-10-T56-C-3.5F



LB-ACH-51-10-T56-C-3.5F-A1



Frequency Range(GHz)	12.4 – 26.5	
Waveguide	WR51	
Gain(dBi)	10 Typ.	
Polarization	Dual Linear	
3dB Beamwidth(deg)	E Plane:	60 Typ.
	H Plane:	60 Typ.
10dB Beamwidth(deg)	E Plane:	103 Typ.
	H Plane:	106 Typ.
Cross Pol. Isolation(dB)	45 Typ.	
Port to Port Isolation(dB)	50 Typ. ; 40 Min.	
VSWR	A Type:	2.0:1 Typ.
	C Type:	2.0:1 Typ.
Output	A Type:	FBP180(UBR180) (Modified with 4xM4 Deep 8)
	C Type:	3.5mm-Female or SMA-Female
Material	Al	
Finish	Gold Plated and Silver Plated, Gray Paint	
Size(mm)	A Type:	52.8 x 61.4 x 269.6
	C Type:	97.3 x 61.4 x 314
	A-A1:	266.4 x 266.4 x 269.6
	C-3.5F-A1:	266.4 x 266.4 x 314
Net Weight(Kg)	A Type:	1.16 Around
	C Type:	1.47 Around
	A-A1:	2.40 Around
	C-3.5F-A1:	2.71 Around

PATENT ID (US)

US 10871511, US 11031692

PATENT ID (China)

ZL202020594305.0, ZL202020594309.9

AINFO Inc.

China(Beijing):
China(Chengdu):
USA :

Tel: (+86) 10-6266-7326,
Tel: (+86) 28-8519-2786,
Tel: (+1) 949-639-9688,

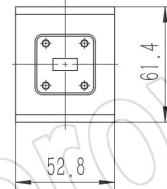
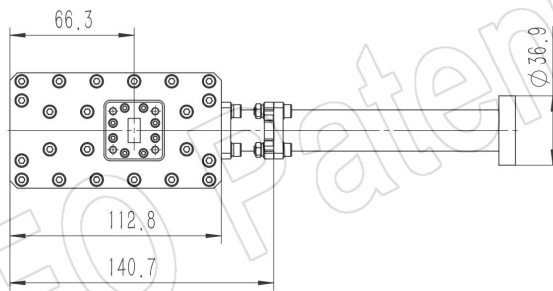
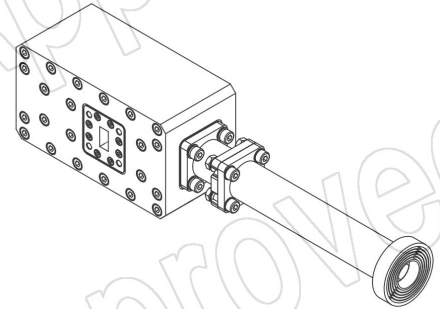
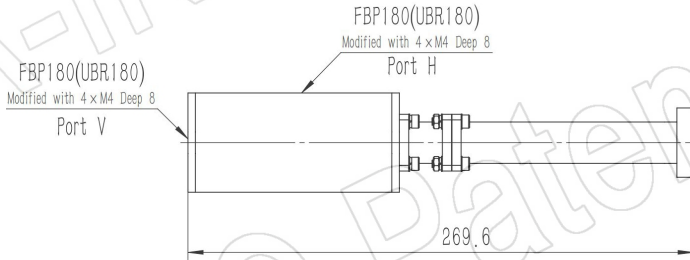
(+86) 10-6266-7327
(+86) 28-8519-3044
(+1) 949-639-9608

Fax: (+86) 10-6266-7379
Fax: (+86) 28-8519-3068
Fax: (+1) 949-639-9670

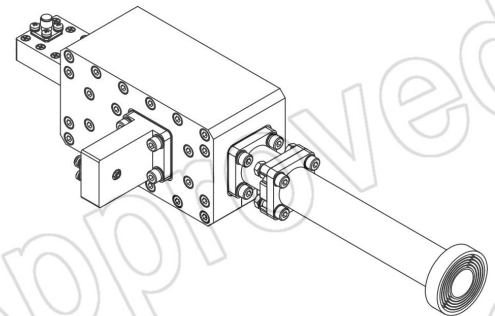
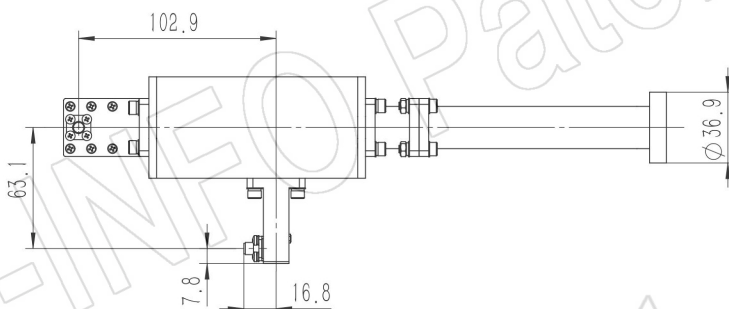
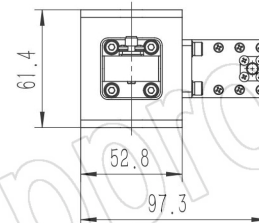
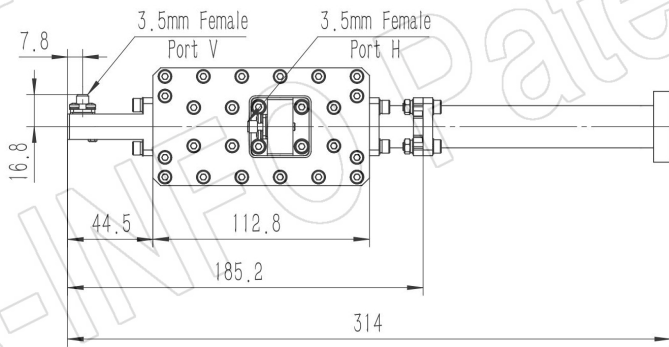
Website: www.ainfoinc.com
Email: sales@ainfoinc.com

Outline Drawing (Size: mm)

FBP180 Output (P/N: LB-ACH-51-10-T56-A)



3.5mm-Female Output (P/N: LB-ACH-51-10-T56-C-3.5F)
For SMA-Female output outline drawing, please contact A-INFO.



AINFO Inc.

China(Beijing):
China(Chengdu):
USA :

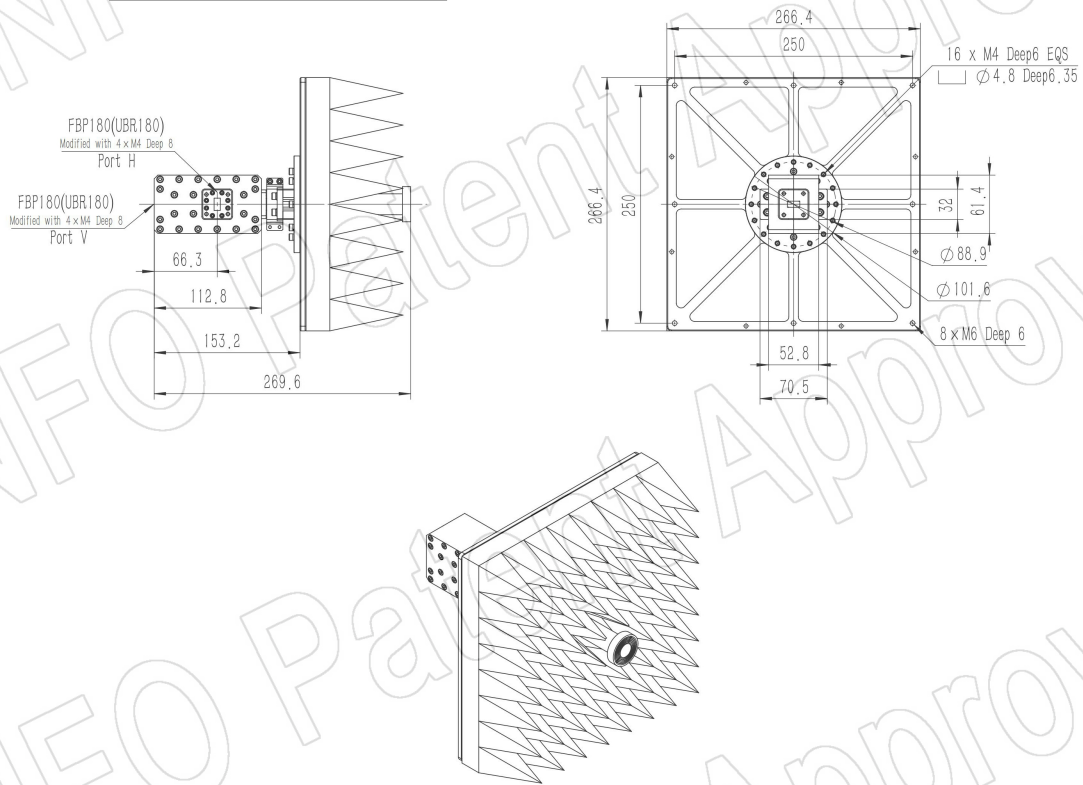
Tel: (+86) 10-6266-7326,
Tel: (+86) 28-8519-2786,
Tel: (+1) 949-639-9688,

(+86) 10-6266-7327
(+86) 28-8519-3044
(+1) 949-639-9608

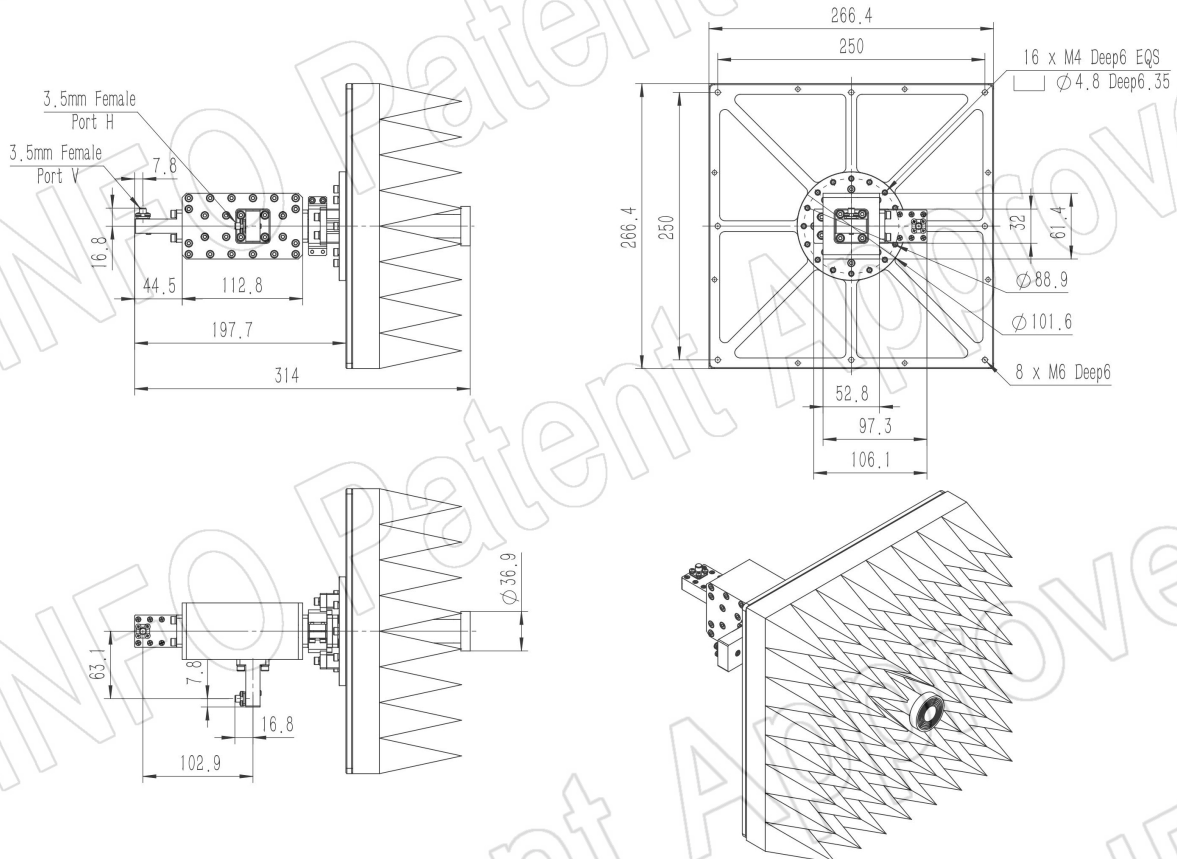
Fax: (+86) 10-6266-7379
Fax: (+86) 28-8519-3068
Fax: (+1) 949-639-9670

Website: www.ainfoinc.com
Email: sales@ainfoinc.com

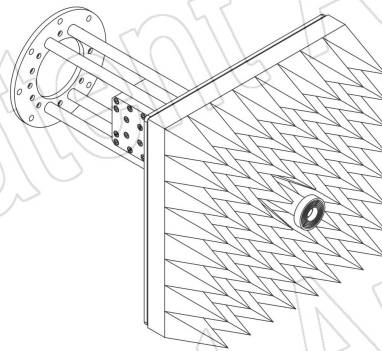
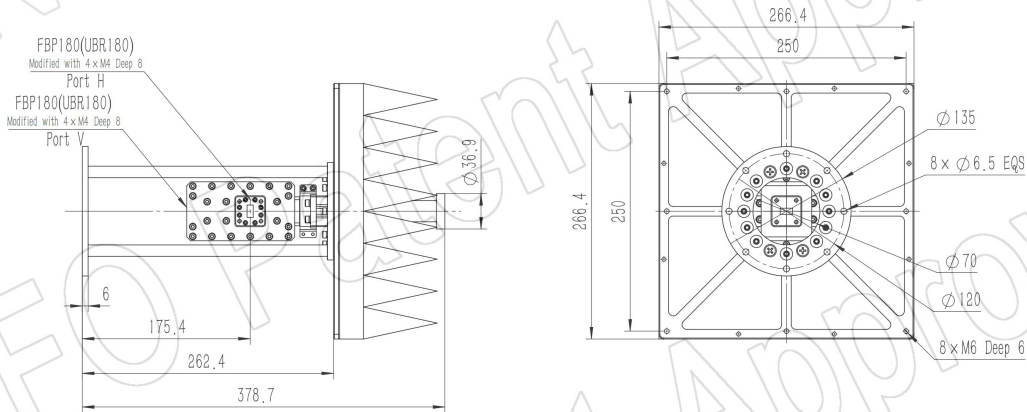
FBP180 Output, Equipped with Absorber (Option, P/N: LB-ACH-51-10-T56-A-A1)



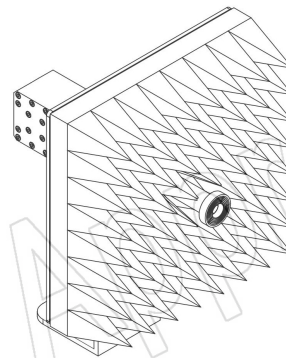
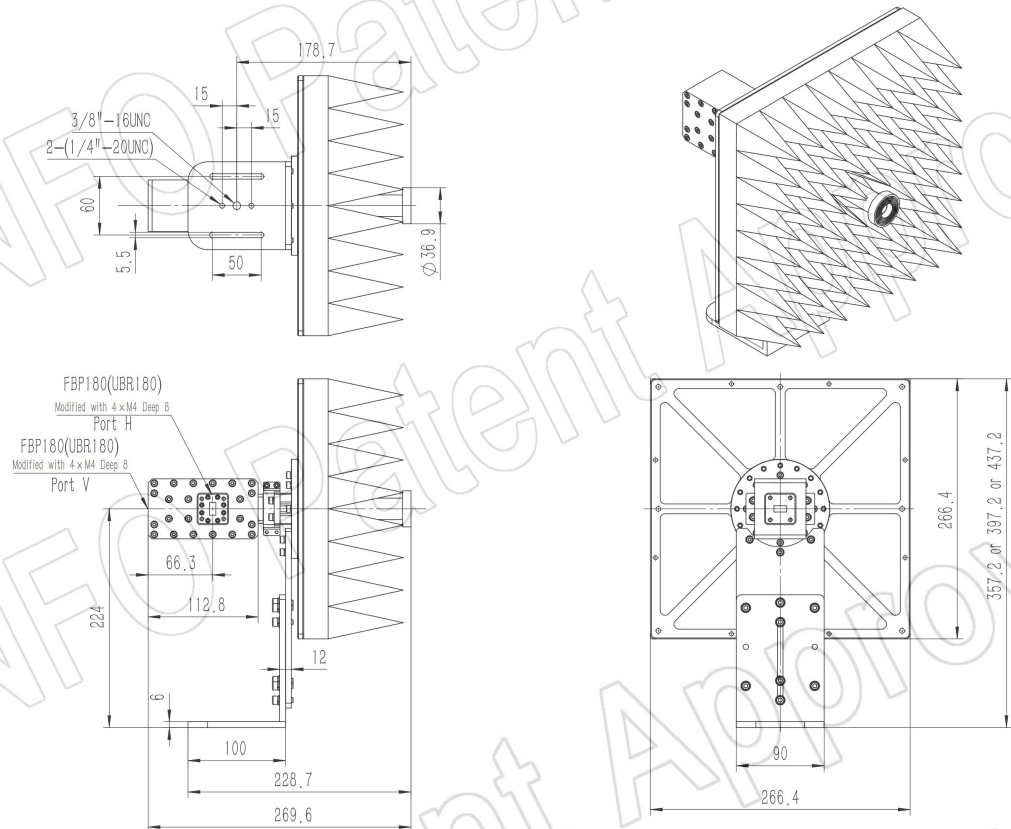
3.5mm-Female Output, Equipped with Absorber (Option, P/N: LB-ACH-51-10-T56-C-3.5F-A1)
 For SMA-Female output outline drawing, please contact A-INFO.



FBP180 Output with Round Mounting Bracket & Equipped with Absorber (Option, P/N: EWG-MB40 & LB-ACH-51-10-T56-A-A1)

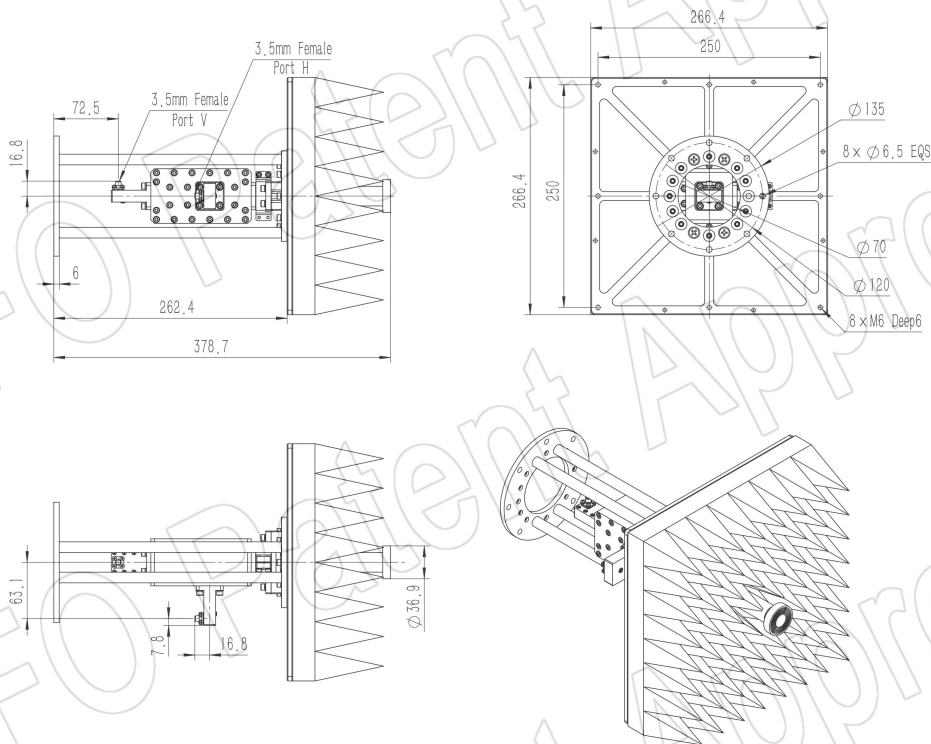


FBP180 Output with L Type Mounting Bracket & Equipped with Absorber (Option, P/N: EWG-L40 & LB-ACH-51-10-T56-A-A1)



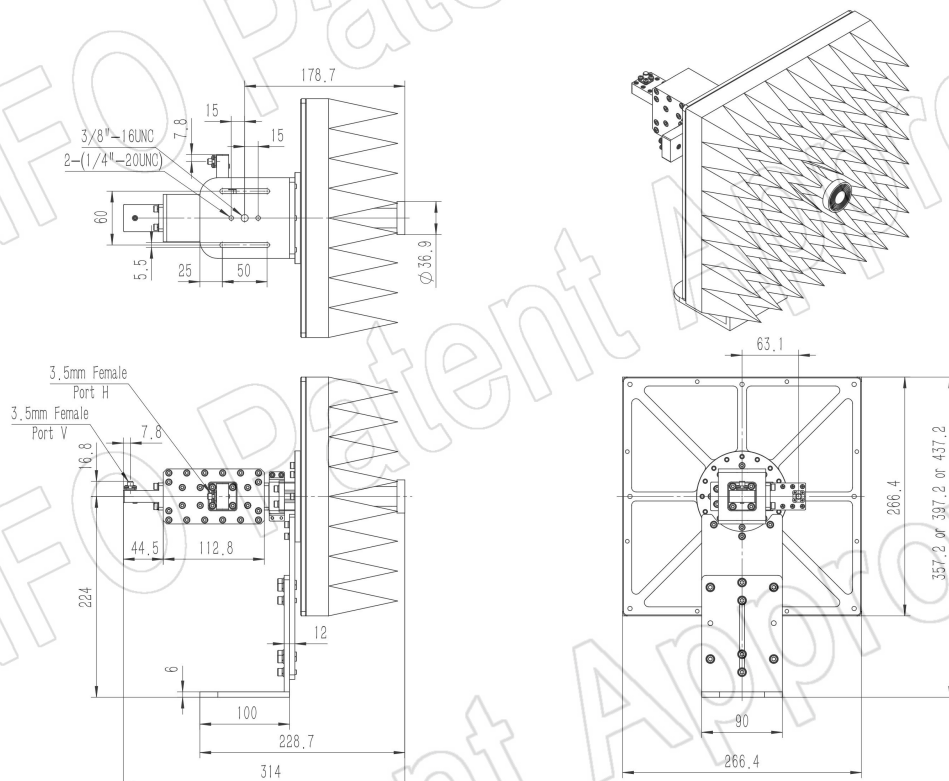
3.5mm-Female Output with Round Mounting Bracket & Equipped with Absorber (Option, P/N: EWG-MB40 & LB-ACH-51-10-T56-C-3.5F-A1)

For SMA-Female output outline drawing, please contact A-INFO.

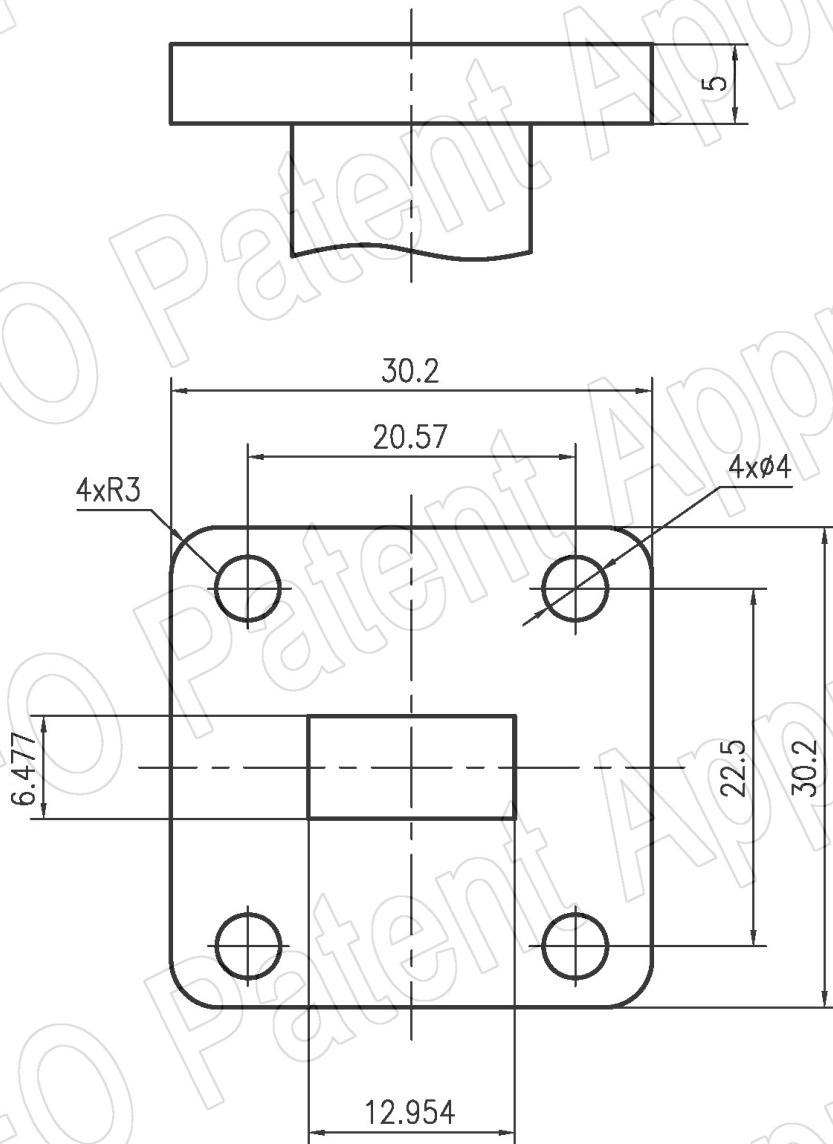


3.5mm-Female Output with L Type Mounting Bracket & Equipped with Absorber (Option, P/N: EWG-L40 & LB-ACH-51-10-T56-C-3.5F-A1)

For SMA-Female output outline drawing, please contact A-INFO.



Flange Drawing (Size: mm)



FBP180

AINFO Inc.

China(Beijing):
China(Chengdu):
USA :

Tel: (+86) 10-6266-7326,
Tel: (+86) 28-8519-2786,
Tel: (+1) 949-639-9688,

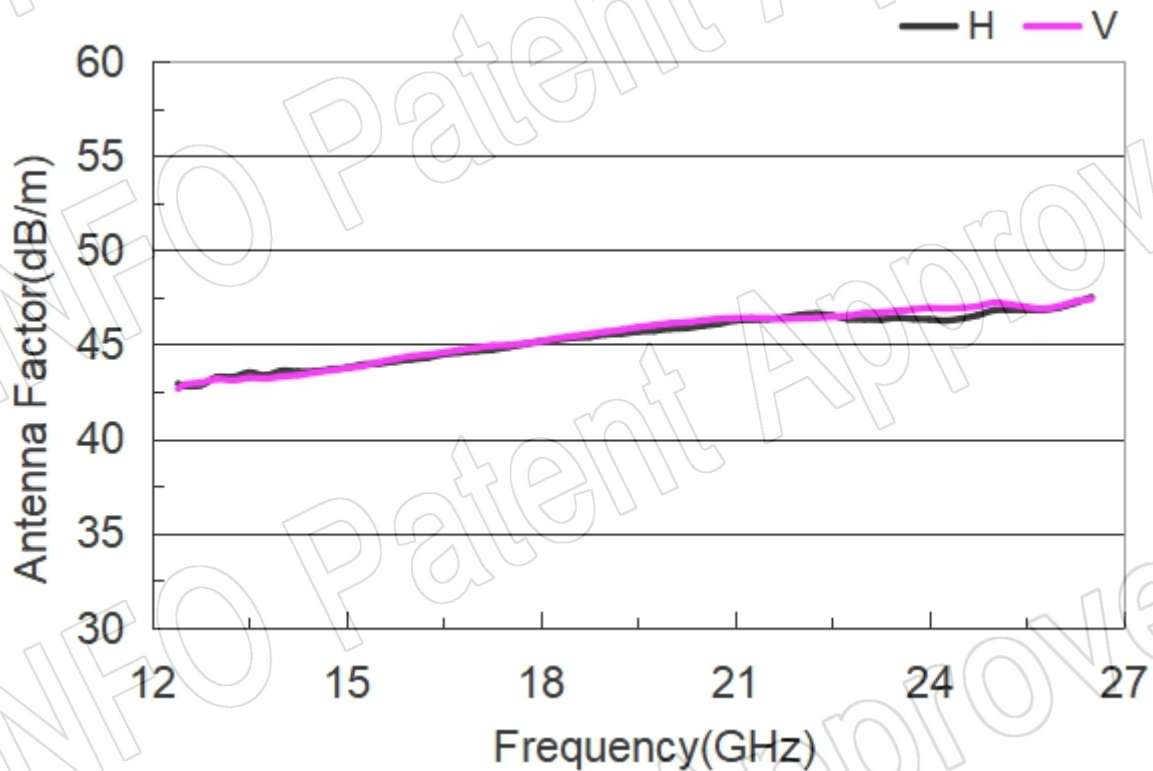
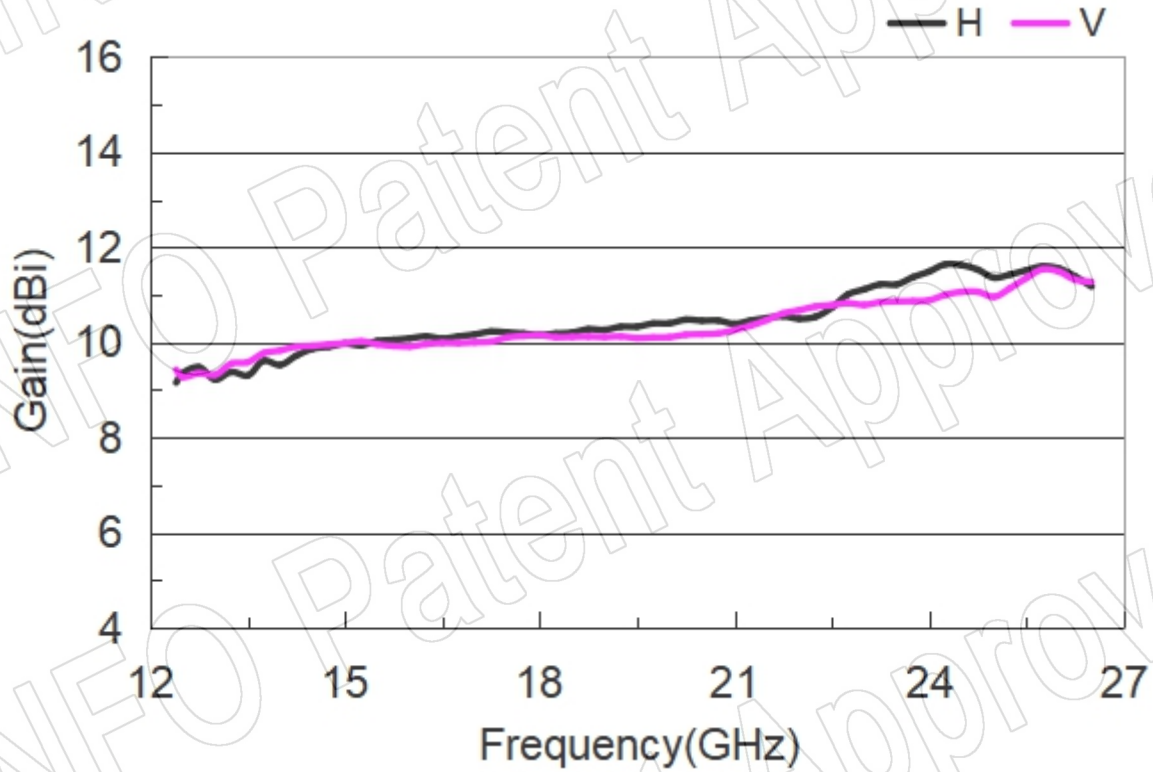
(+86) 10-6266-7327
(+86) 28-8519-3044
(+1) 949-639-9608

Fax: (+86) 10-6266-7379
Fax: (+86) 28-8519-3068
Fax: (+1) 949-639-9670

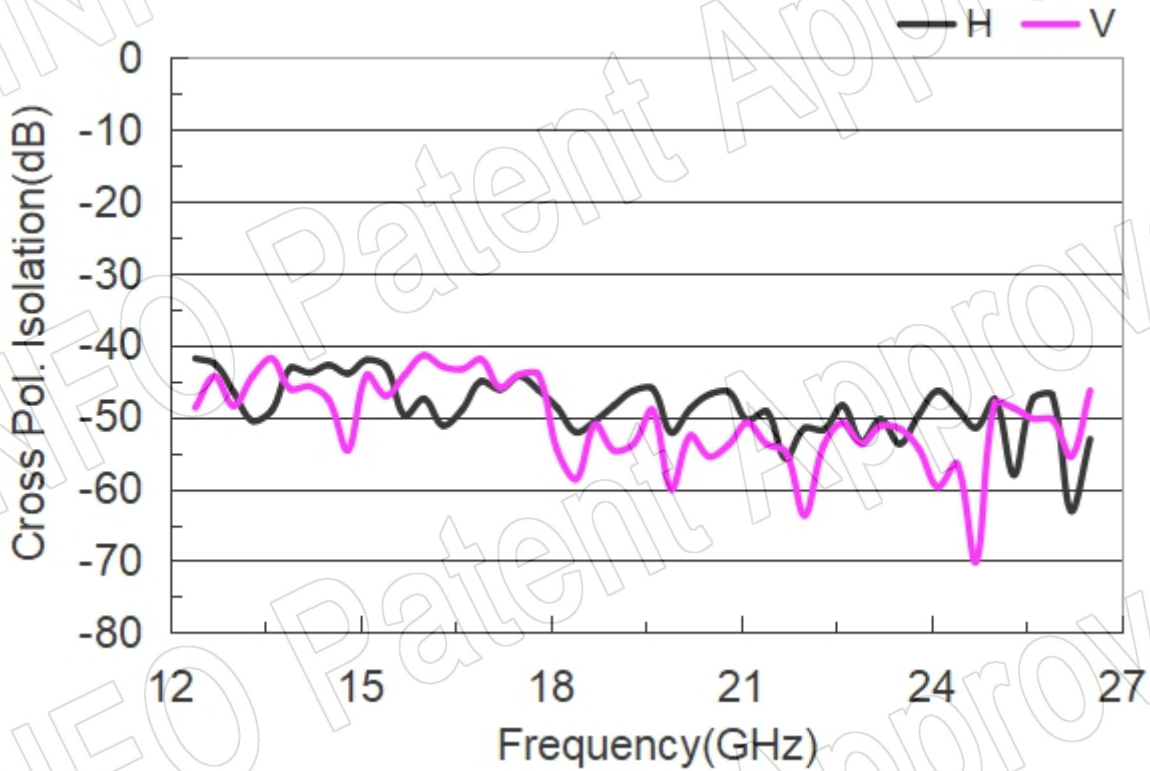
Website: www.ainfoinc.com
Email: sales@ainfoinc.com

Test Results

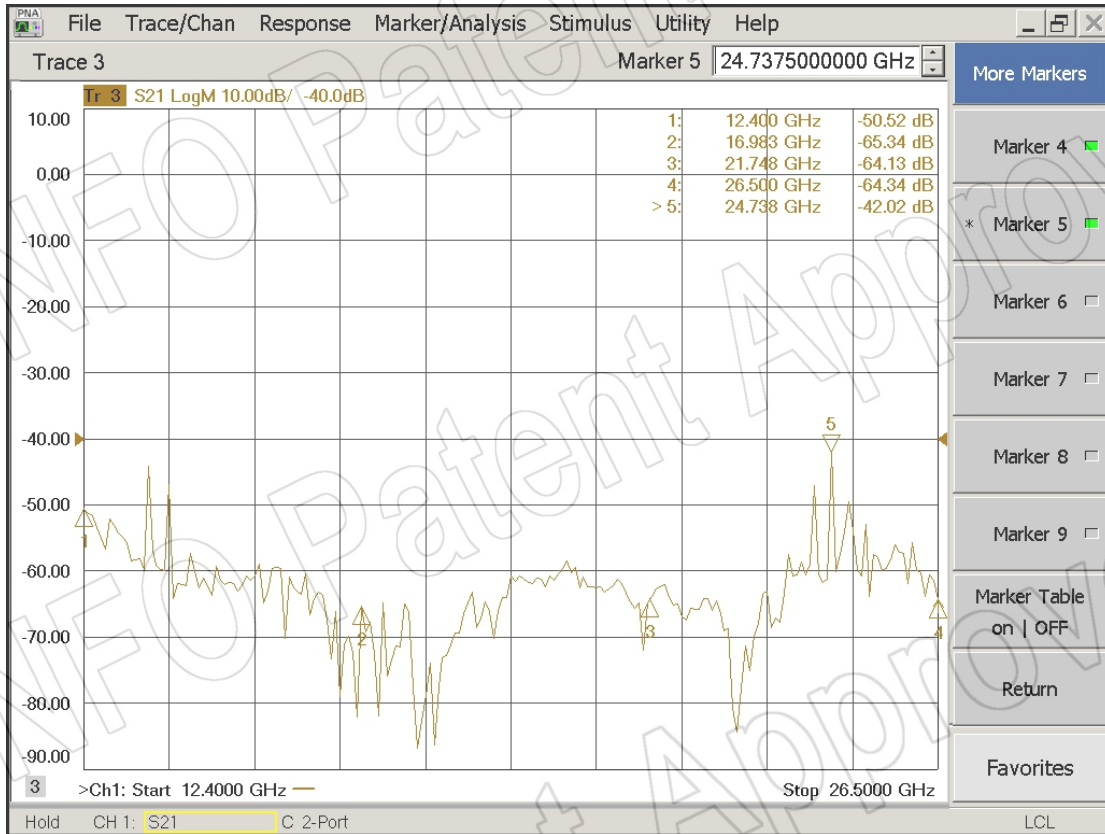
1. Gain & Antenna Factor



2. Cross Polarization Isolation

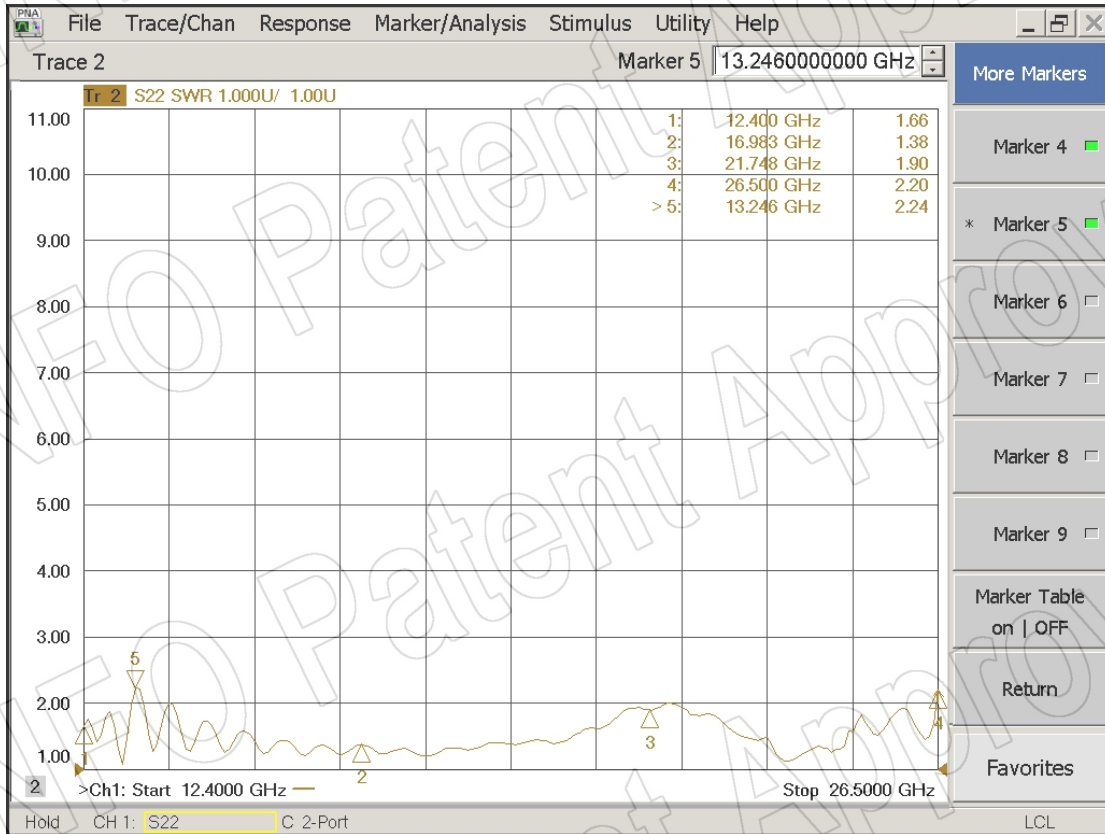


3. Port to Port Isolation

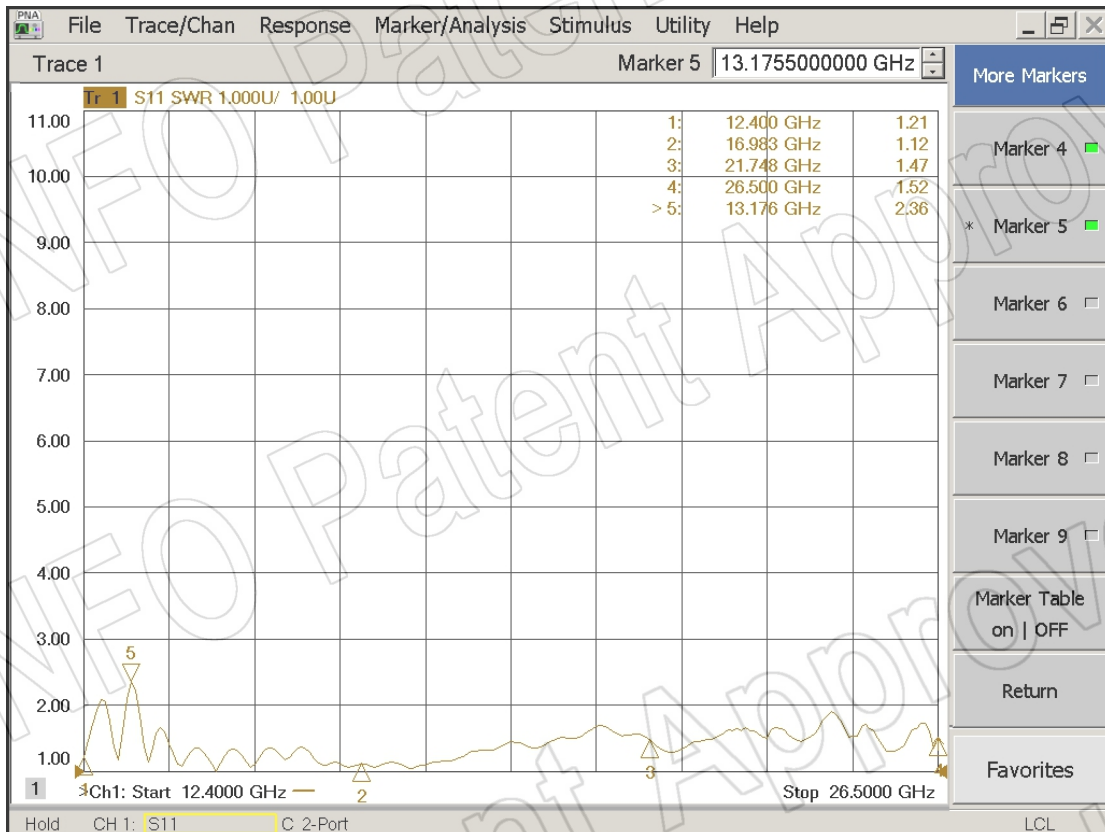


4. VSWR_A Type

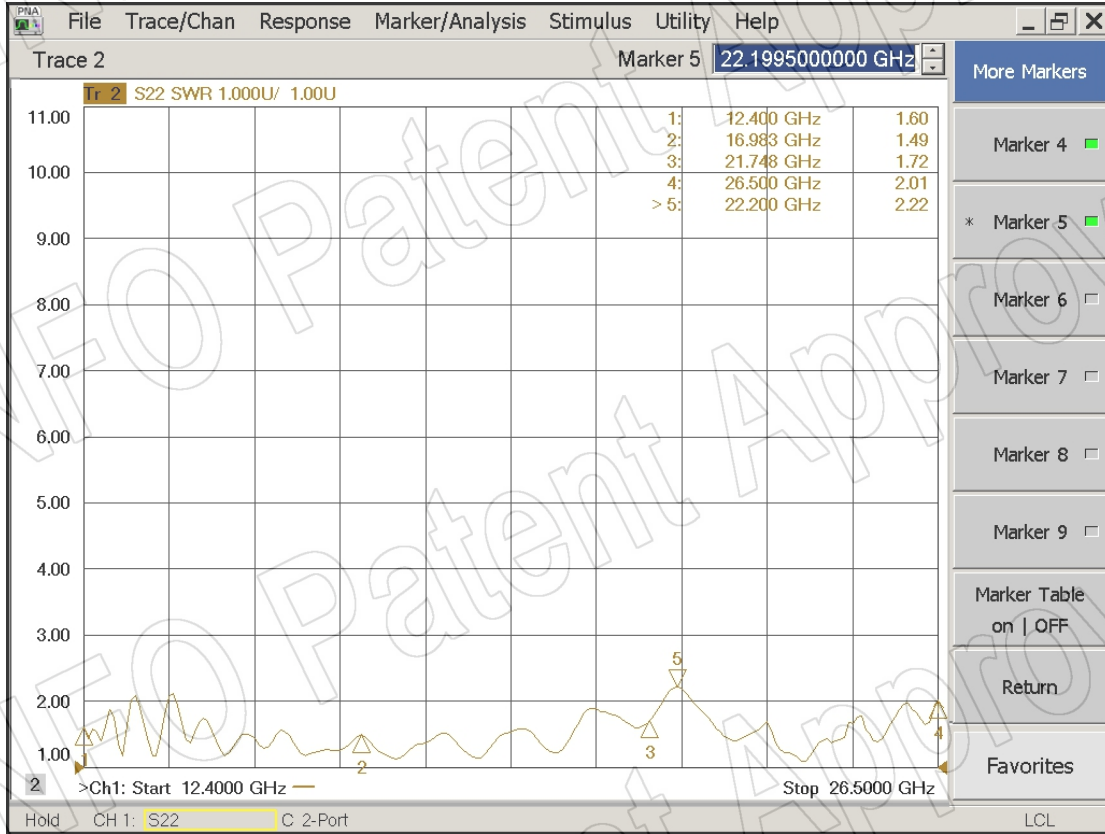
Port-H



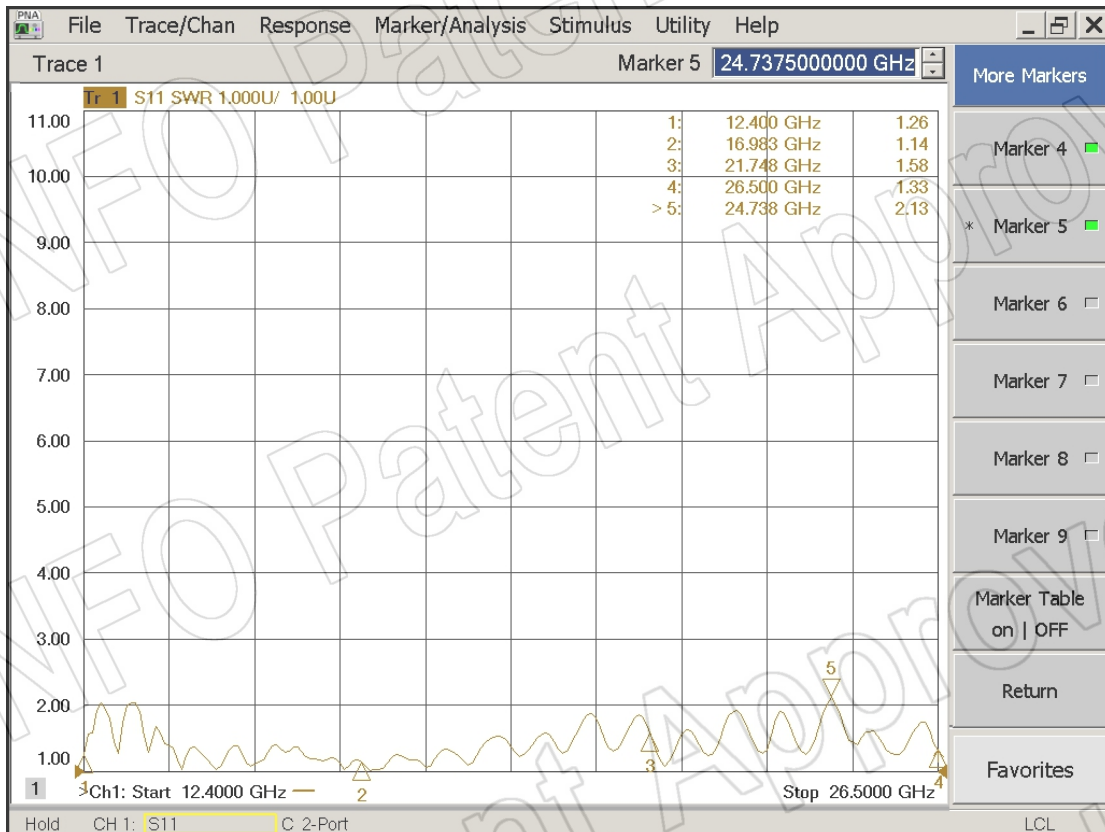
Port-V



VSWR_C Type
Port-H



Port-V



5. Pattern

